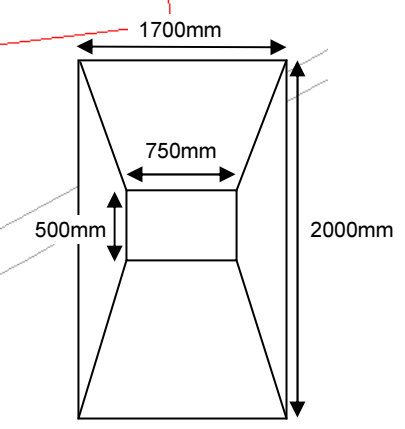


Width of speed cushions to be 1.7metres, all spacings to be 0.8metres.

Width of speed cushions to be 1.7metres, all spacings to be 0.72metres.

Width of speed cushions to be 1.7metres, all spacings to be 0.74metres.

Width of speed cushions to be 1.7metres, all spacings to be 0.66metres.



Speed Cushion Dimensions



© Crown Copyright and database right 2012. Ordnance Survey LA 100049055



Northern Area Office,
Abbeywoods Business Park,
Pity Me,
County Durham, DH1 5TH

Scale: N.T.S.	Project: C84 Newfield Traffic Calming – Phase 2	Project No: T26050
	Drawing: Speed Cushion Location - A	Drawing No: 3